

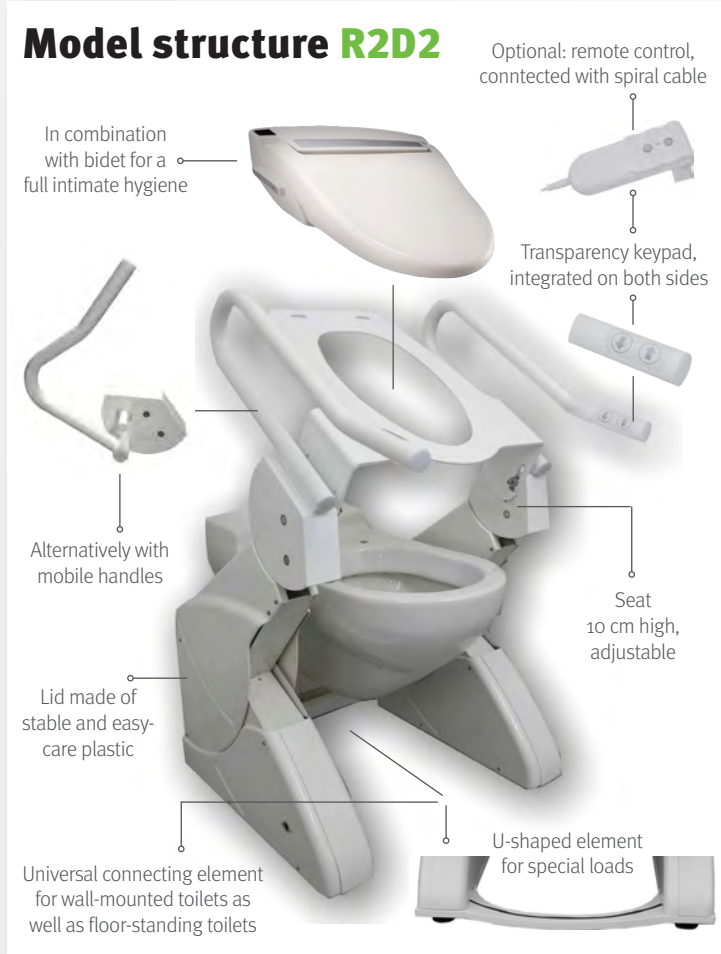
Stand-Up Support R2D2: FIX & RABA



- Your advantages**
- ✓ effortless movement
 - ✓ smooth height adjustment
 - ✓ smooth angle adjustment
 - ✓ different seat height
 - ✓ designs with/without bidet
 - ✓ easy handling
 - ✓ low space requirement
 - ✓ no installation effort
 - ✓ modular design
 - ✓ stable and secure
- General technical information**
- ✓ max. height: 590 - 860 mm
 - ✓ max. height R2D2-V: 680 mm
 - ✓ inclination angle: 50°
 - ✓ connection: 230 V/50 Hz, 16 A
 - ✓ colour: white
 - ✓ drive control: 24 VDC
 - ✓ load: 150 kg
 - ✓ model Heavy Duty: 250 kg

Handling:
remote control
or
keypad

modular
delivery,
no installation
efforts



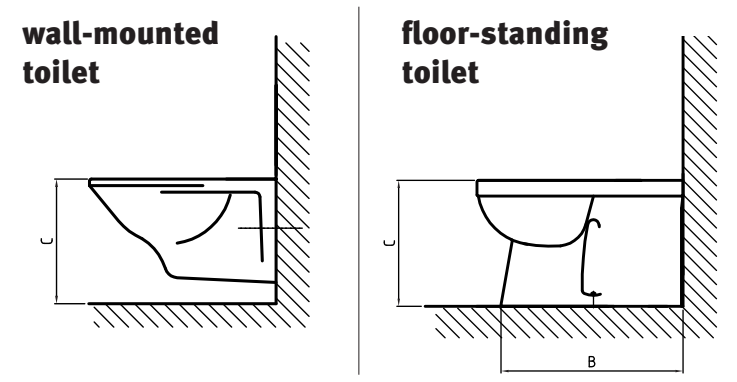
THE SMOOTH AND ELECTRICAL HEIGHT AND INCLINATION ADJUSTMENT GUARANTEES SECURE AND JOINT-PROTECTIVE WAY TO SIT DOWN AND TO STAND UP

Development and use in care
In the care sector the Stand-Up Support not only helps the patient but it also facilitates the physical work of the nursing staff. Additional the application of the Stand-Up Support saves time and money. The R2D2 has been developed in cooperation with doctors, therapists, architects and engineers. We guarantee a maximum of functionality, security and suitability for everyday use.

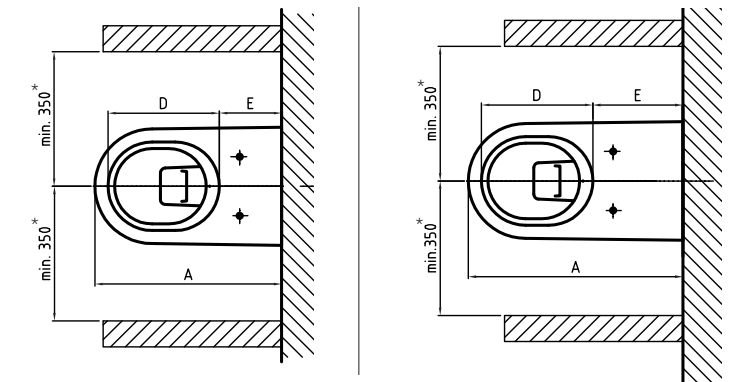
Alleviation of work for nursing staff

Information about the usage site DATA SHEET – Stand-Up Support R2D2

Please fill out the right dimensions for the toilet-type. With the help of this data we will be able to adapt the Stand-Up Support R2D2 according to your personal circumstances and usage sites.



According to the sketch below only a space of 350 mm space is needed from the central axis of the toilet for the correct installation of the Stand-Up Support R2D2.



Please enter the dimensions (in mm) below according to the model type.

A	<input type="text"/>	C	<input type="text"/>	A	<input type="text"/>	B	<input type="text"/>
D	<input type="text"/>	E	<input type="text"/>	C	<input type="text"/>	D	<input type="text"/>
				E	<input type="text"/>		

*For Stand-Up Support R2D2-RABA a minimum space of 400 mm is needed.

Financing via your health insurance
Financial resources number:
33.40.03.1004: 33.40.03.1004

Usage sites
The Stand-Up Support is suitable for floor-standing and wall-mounted toilets. Every design will be produced on the basis of individual dimensions. We only need 35 cm space (R2D2-RABA 40 cm) of the central axis of your toilet.